

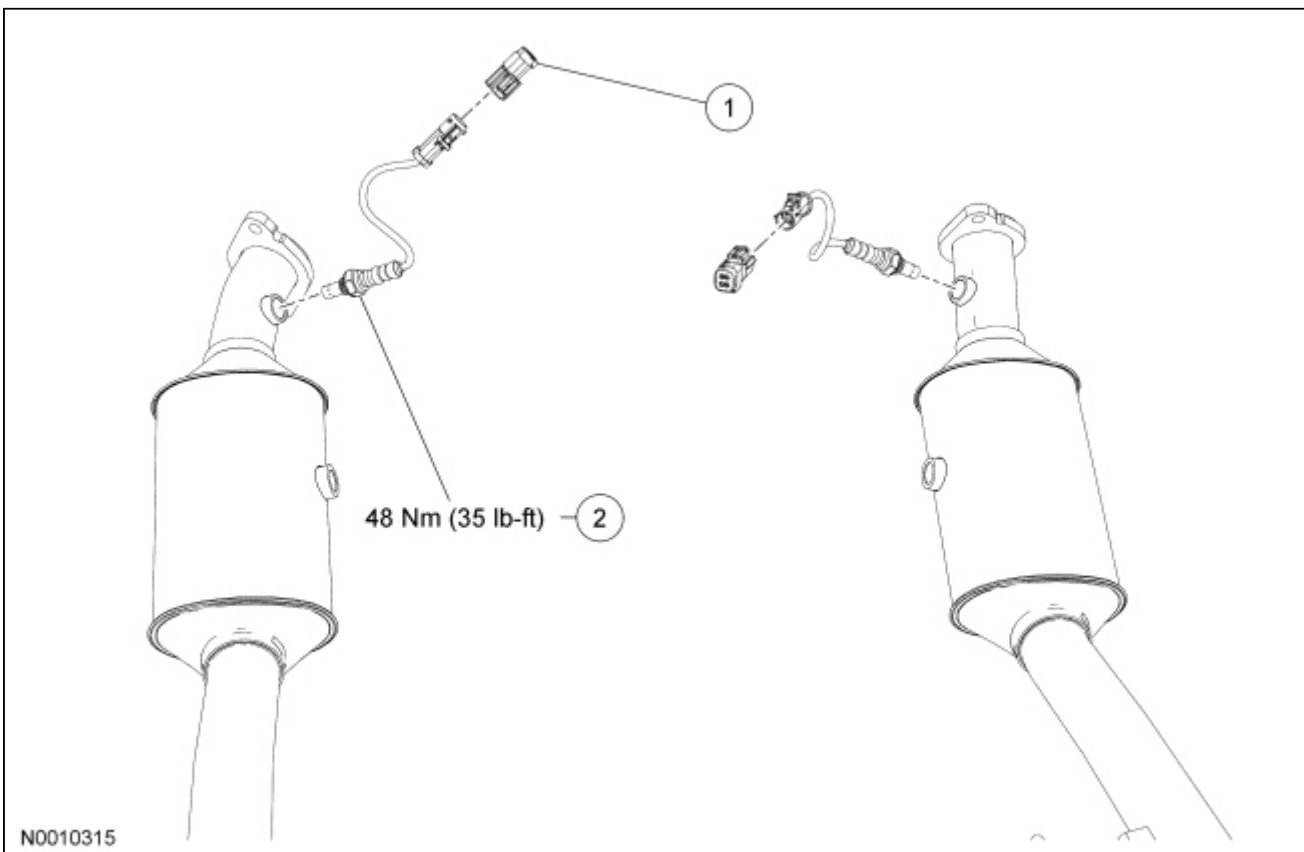
Heated Oxygen Sensor (HO2S) — 4.0L SOHC

Special Tool(s)

 <p>ST1447-A</p>	<p>Socket, Exhaust Gas Oxygen Sensor 303-476 (T94P-9472-A)</p>
---------------------------------------------------------------------------------------------------	--------------------------------------------------------------------

Material

Item	Specification
High Temperature Nickel Anti-Seize Lubricant XL-2	ESE-M12A4-A
Penetrating and Lock Lubricant (US); Penetrating Fluid (Canada) XL-1 (US); CXC-51-A (Canada)	—



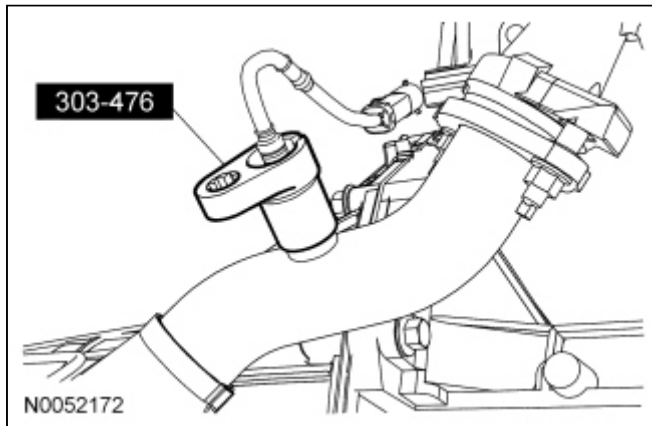
Item	Part Number	Description
1	14A464	Heated Oxygen Sensor (HO2S) electrical connector (2 required)
2	9G444	HO2S (2 required)

Removal and Installation

1. With the vehicle in NEUTRAL, position it on a hoist. For additional information, refer to [Section 100-02](#).
2. Disconnect the Heated Oxygen Sensor (HO2S) electrical connector.
3. **NOTE:** If necessary, lubricate the [HO2S](#) threads with penetrating and lock lubricant to assist in removal.

Using the Exhaust Gas Oxygen Sensor Socket, remove the [HO2S](#).

- Calculate the correct torque wrench setting for the following torque. [Refer to the Torque Wrench Adapter Formulas in the Appendix](#).
- To install, tighten to 48 Nm (35 lb-ft).



4. To install, reverse the removal procedure.
 - Apply a light coat of anti-seize lubricant to the threads of the [HO2S](#) before installing.
-